

MARK TABLE	
MARK	Description
	Pneumatic Valve (Diaphragm, Normally Close)
	Pneumatic Valve (Bellows, Normally Close)
	Pneumatic Valve (Bellows, Normally Open)
	Gate Valve (Double Action)
	Gate Valve (Normally Close)
	Manual Stop Valve (Diaphragm)
	Needle Valve
	Filter
	Check Valve
	Orifice Gasket
	Capacitance Manometer
	Pressure Switch
	Pressure Regulator
	Pressure Gauge
	Pressure Transducer
	Mass Flow Controller
	Auto Pressure Regulator
	Remote Plasma Unit
	Pressure Controller Valve (Butterfly type)
	Purge Meter
	Butterfly Valve (Manual Operate)

REFERENCE



THIS DOCUMENT CONTAINS INFORMATION PROPRIETARY TO ASM JAPAN K.K. AND SHALL NOT BE USED FOR ENGINEERING, DESIGN, OR MANUFACTURE IN WHOLE OR IN PART WITHOUT WRITTEN CONSENT OF ASM JAPAN K.K.

A3

UNLESS OTHERWISE SPECIFIED, ALL DIMENSIONS ARE IN MILLIMETERS.	THIRD ANGLE PROJECTION
GENERAL ROUGHNESS	EDGES AND CORNERS (UNLESS OTHERWISE SPECIFIED)
MATERIALS	PROCESS

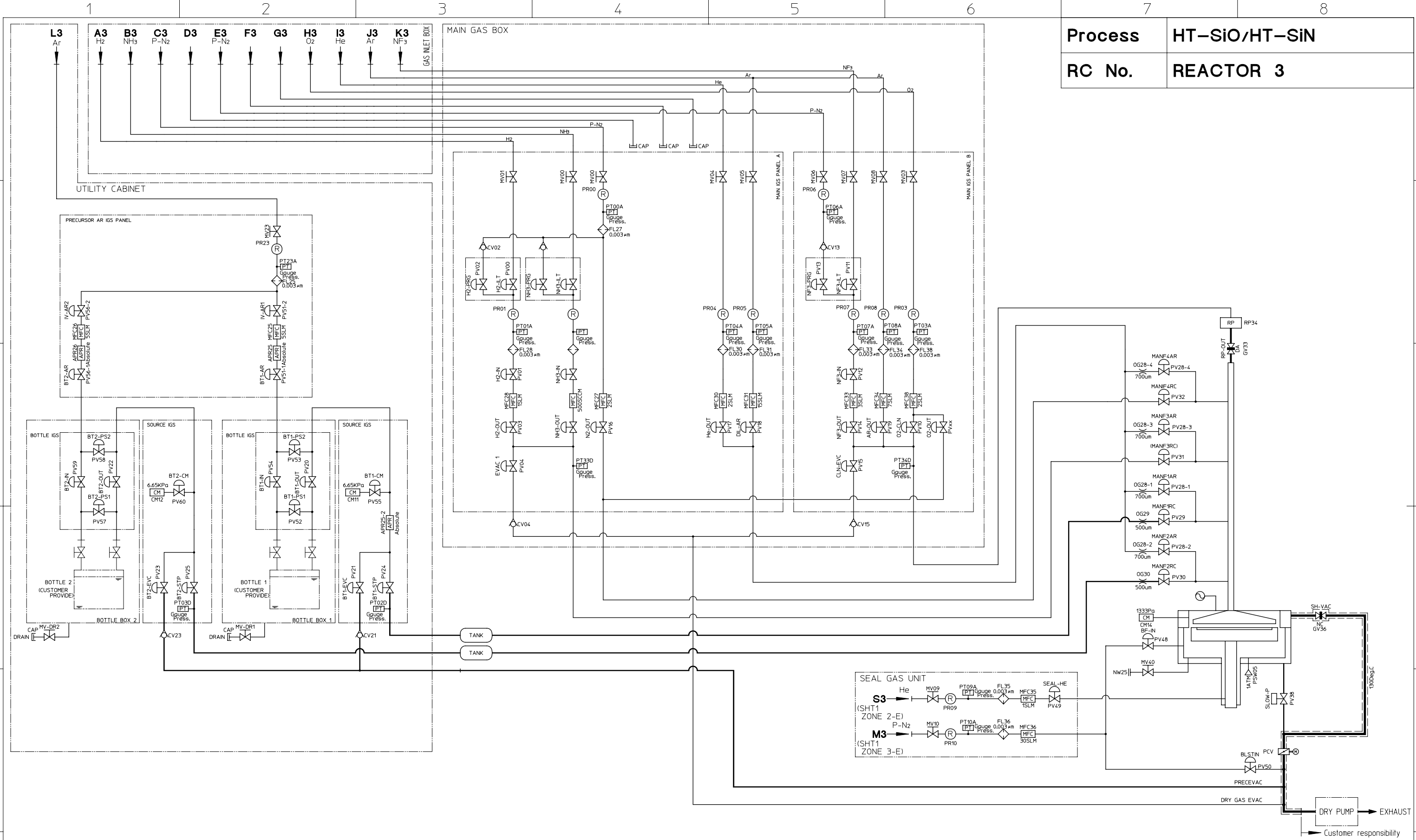
SIGNATURES		DATES
DWN	H.Kanayama	10.DEC.09
DESD	H.Kanayama	10.DEC.09
CHKD	T.Yamagishi	10.DEC.09
APVD	T.Yamagishi	10.DEC.09

SEE BOM/PART NO.	
DWG TITLE	
SCHEMATIC-GAS/VACUUM Eagle XP	
DWG NO.	DWG REV.
RD-090042	A
SCALE	SHEET
N : S	1 of 5

REVISIONS		BY
REV	DATE	
ECO	10.DEC.09	H.Kanayama
N/A		
A		

DESCRIPTION		INITIAL RELEASE

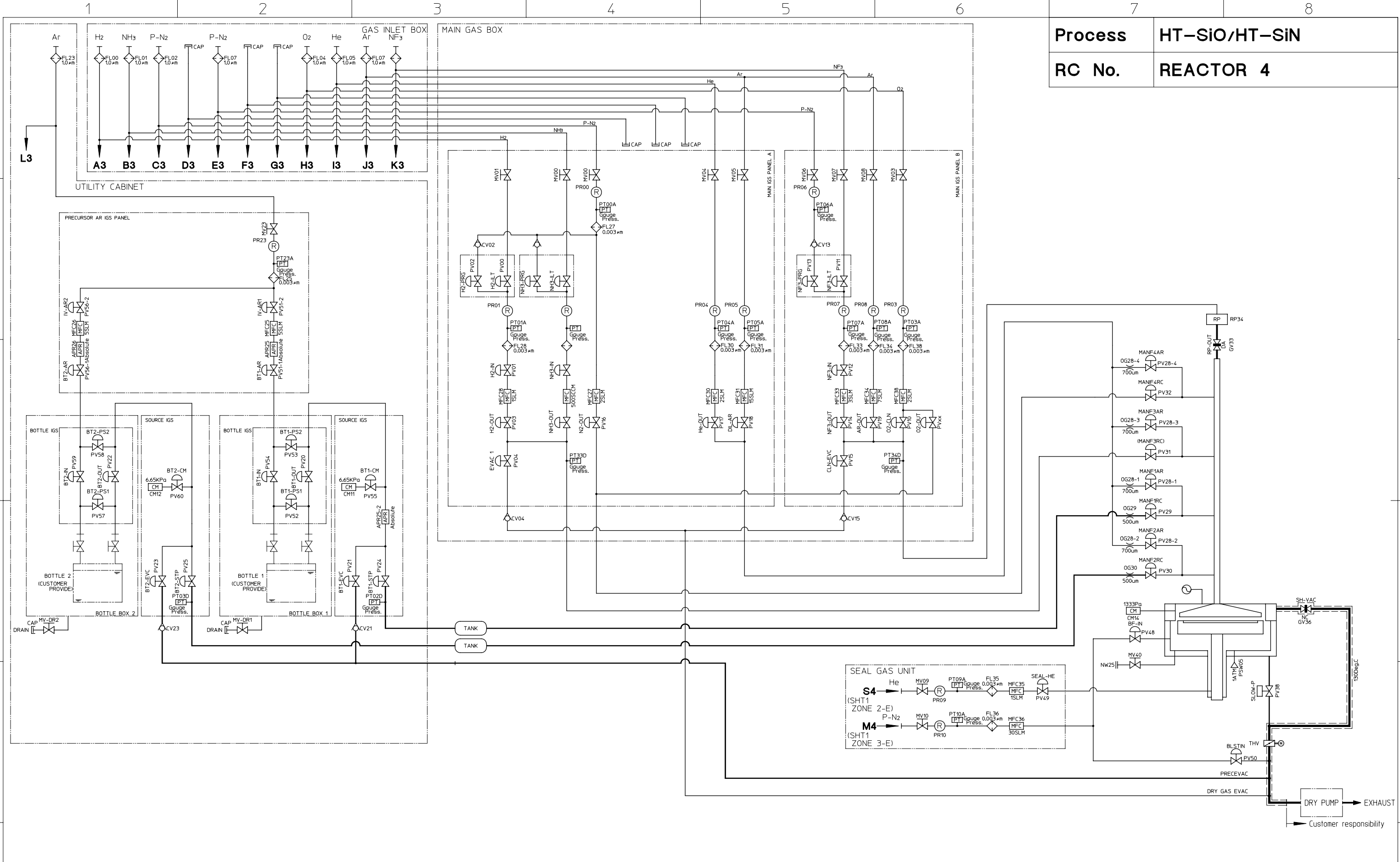
Process	HT-SiO/HT-SiN
RC No.	REACTOR 3



REFERENCE

ASM	DWG TITLE	
	SCHEMATIC-GAS/VACUUM EAGLE XP	
	DWG NO.	DWG REV.
A3	RD-090042	A
	SCALE	SHEET
	N : S	2 of 3

Process	HT-SiO/HT-SiN
RC No.	REACTOR 4



REFERENCE

	DWG TITLE	
	SCHEMATIC-GAS/VACUUM EAGLE XP	
	DWG NO.	DWG REV.
A3	RD-090042	A
SCALE	N : S	SHEET 3 of 3