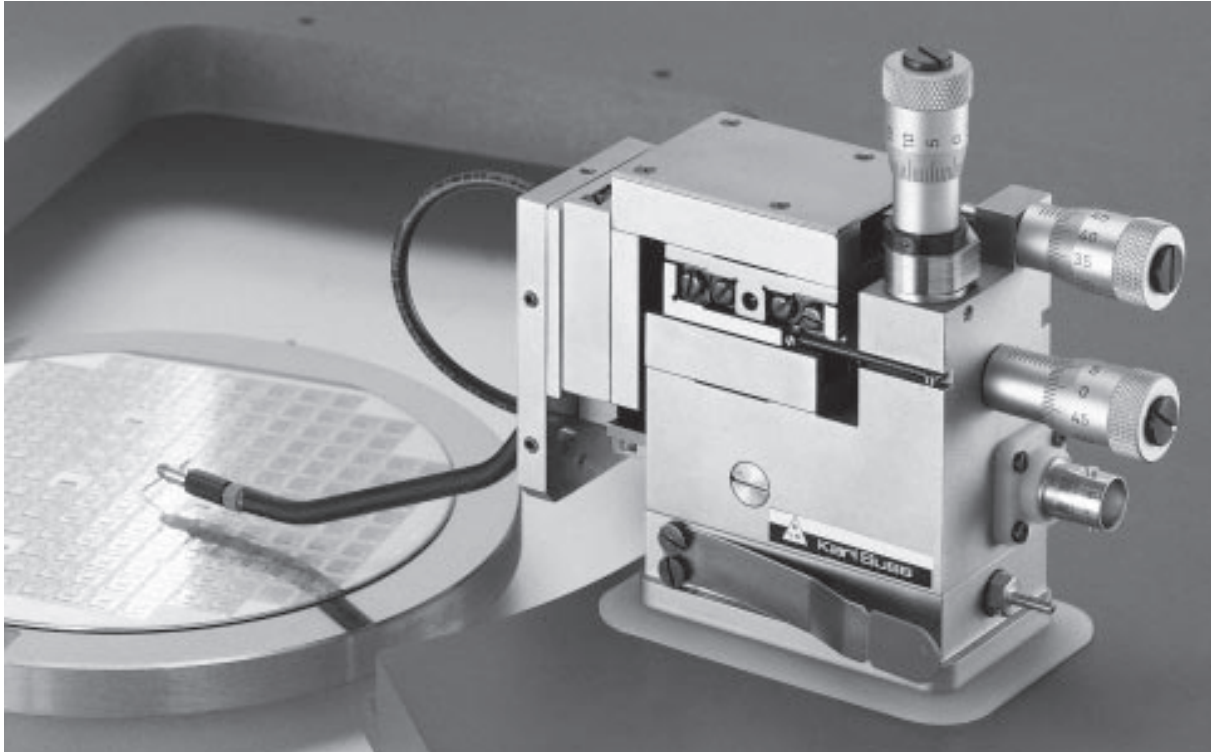


MANUAL PROBEHEAD

PH 150



ACCESSORY DESCRIPTION

SUSS PH150 PROBEHEAD

- ▲ Robust, backlash-free, submicron probing
- ▲ Superior mechanical and ergonomic design
- ▲ True, independent X, Y and Z linear travel
- ▲ Precision cross roller slides and bearings
- ▲ High-resolution positioning screws
- ▲ Strong vacuum base without deviation at release

- ▲ Single and double arms with gold collet clamping
- ▲ Conductive, scratch and corrosion-resistant nickel finish

The SUSS line of manual probeheads offers the advantages of proven high quality, superior mechanical and ergonomic design, and complete product line compatibility.

The SUSS PH150 has proved to be the most accurate and robust positioner on the market. By using the finest precision components and expert assembly techniques, SUSS

achieves true submicron positioning with zero backlash.

The PH150 incorporates an independent and uninfluenced XYZ stage system which is free of mechanical cross-talk deviation. Each stage is made of hardened steel and precision cross roller bearings assembled under exact torque measurements.

In addition to superior mechanical design, SUSS always adheres to detail regarding ergonomics and flexibility. Each axis has 10mm of travel with 50 or 100-tpi (threads per inch), high-resolution screws.



The Z-axis screw is ergonomically located at the rear of the probe head body so as not to transmit finger pressure to the probe needle on touch down. The user has the choice of a Z axis with left or right-handed threads.

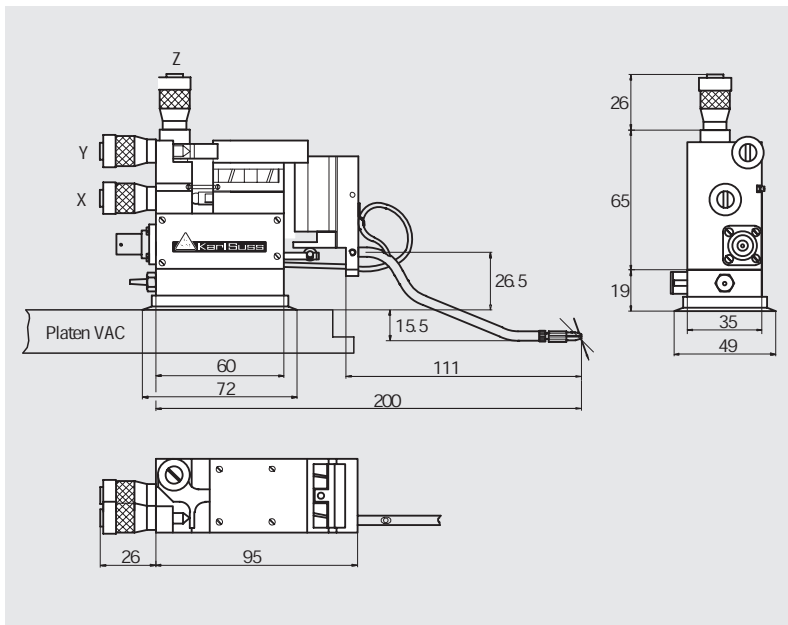
The PH150 vacuum base system has superior holding strength. The entire footprint is encompassed by a rectangular rubber lip. Actuation is controlled by a convenient, body-

mounted, "easy touch" lever. This system gives the operator complete control of probehead positioning, without gross probe needle deviation in the Z direction!

The PH150 is compatible throughout the SUSS product line. The PH150 is finished in electroless nickel, which is both scratch and corrosion-resistant. Probe arms are available for all applications, whether standard or special.

TECHNICAL DATA: SUSS PH150 PROBEHEAD

Travel Range X, Y	10 mm	Feature Resolution	0.5 μ m
Travel Range Z	8 mm	Bases	mechanical magnetic vacuum
Z Coarse Adjustment Range	\pm 7.5 mm	Footprint Dimension	72 x 49 mm
Screw Resolution X,Y,Z	250/500 μ m/rev 50/100 tpi		



KARL SUSS WORLDWIDE

▲ GERMANY

KARL SUSS KG · GmbH & Co.
Schleissheimer Strasse 90
D-85748 Garching bei München · Germany
Tel (+49) [0]89/3 20 07-0, Fax -1 62

KARL SUSS Dresden GmbH
Süss-Strasse 1
D-01561 Sacka bei Dresden · Germany
Tel (+49) [0]3 52 40-7 30, Fax -7 37 00

▲ FRANCE

KARL SUSS France SARL
KARL SUSS Technique S.A.
Avenue des Colombières
F-74490 Saint Jeoire · France
Tel (+33) -[0]45 03 58-392, Fax -801

▲ GREAT BRITAIN

KARL SUSS Great Britain Ltd.
23 Ivanhoe Road
Hogwood Industrial Estate
Finchampstead · Wokingham · Berkshire
GB-RG40 4QQ · England
Tel (+44) -[0]1189-732144, Fax -734395

▲ JAPAN

KARL SUSS Japan K.K. · Yokohama
カール・ズース・ジャパン株式会社
〒226 神奈川県横浜市緑区白山1-18-2
ジャーマン・インダストリー・センター
Tel (+81) -[0]45-931-5600, Fax -5601

▲ ASIA

KARL SUSS Asia Co., Ltd.
212/2 Soi Ladprao 10
Ladprao Road, Ladyao · Jatujak
Bangkok 10900 · Thailand
Tel (+66) - 2 938 44-26, -27
Fax (+66) - 2 512 5569

▲ NORTH AMERICA

KARL SUSS America Inc.
P.O. Box 157, Suss Drive
Waterbury Center · VT 05677 · USA
Tel (+1) 802-244-5181, Fax -5103

▲ INTERNET /WWW

<http://www.suss.com>

Representatives in over 30 countries.
Please visit the web site for our address list.

