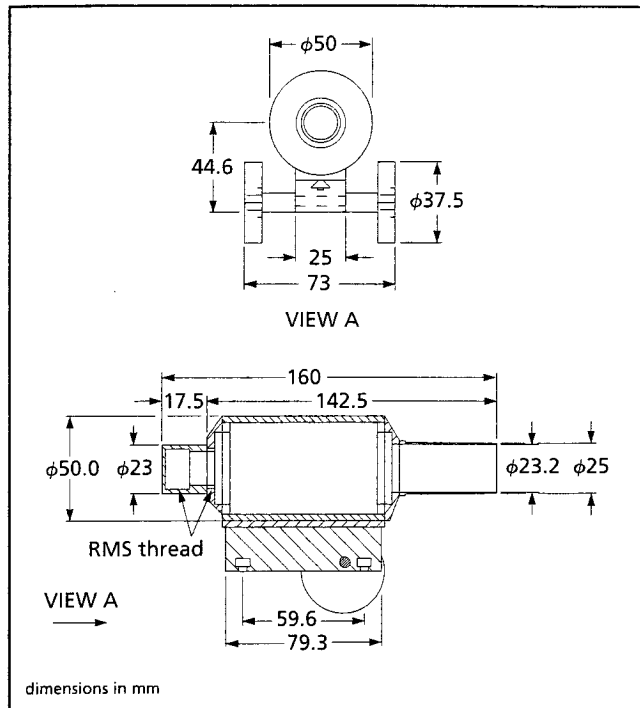


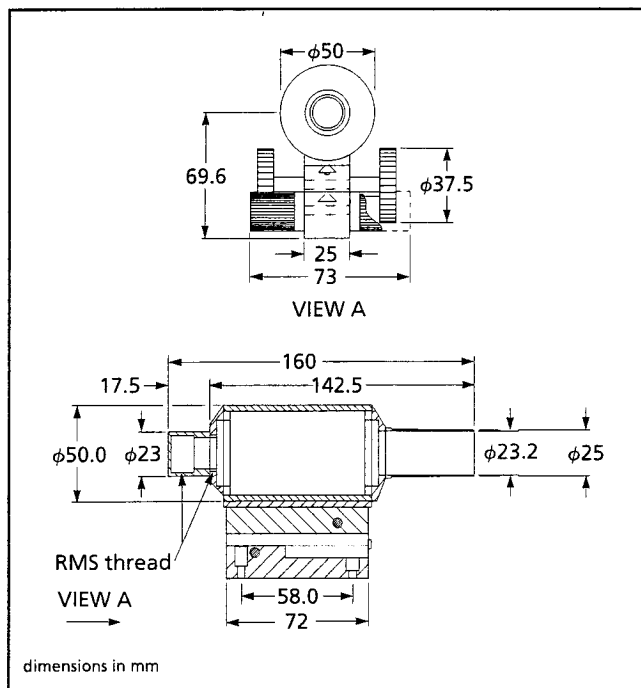
Microscope Focusing Bodies

Melles Griot microscope bodies are ideal for custom applications that involve optical component testing, metrology, biology, image capture, and semiconductor inspection.

- These bodies accept RMS-threaded (0.8 in., 36 TPI) objective lenses.
- An optional objective turret can hold up to three microscope objectives.
- The coarse-focusing microscope body is suitable for objective lenses with power up to 16x. The fine-focusing body is recommended for higher power objective lenses.
- Antibacklash gears eliminate positional hysteresis.
- The bodies allow 63 mm of coarse travel range with 100-μm resolution.
- A fine-focusing mechanism provides 3 mm of travel with 4-μm resolution.
- The housing and tube are black anodized. The slideways are brass, and the drive mechanism is steel.



04 TCF 002 microscope focusing body



04 TFF 002 microscope focusing body

Microscope Focusing Bodies

Coarse Focus	Fine Focus	PRODUCT NUMBER
Yes	No	04 TCF 002
Yes	Yes	04 TFF 002