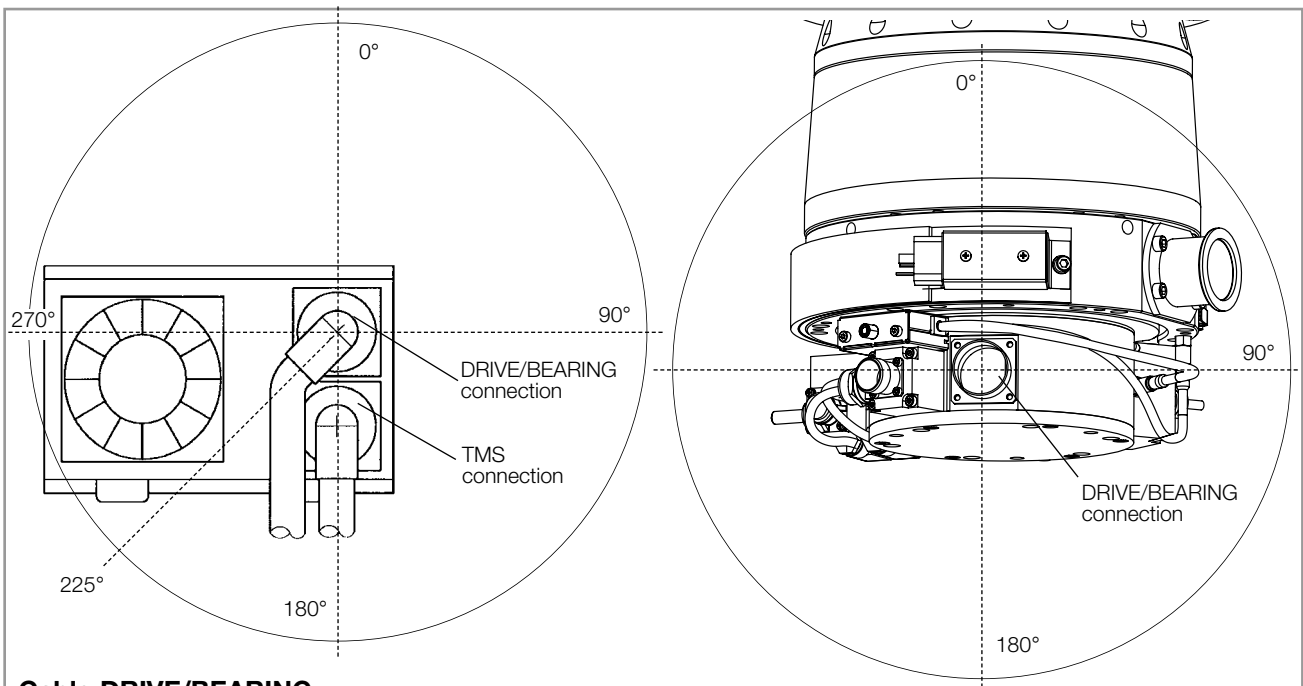


Pump configuration

Pump	Inlet flange DN	Forevacuum flange DN	Purge gas connection	Purge valve mounted to pump	Rotor coated	Cooling water connection	Temperature sensor for cooling water	TMS**	Part No.
MAG W 830 C	160 ISO-F	40 KF	DN 10/16	no*	yes	Swagelock 1/4" tube connector	no	no	400100V0005
MAG W 1300 C	200 ISO-F	40 KF	DN 10/16	no*	yes	John-Guest fitting 6 mm Rohr	no	no	400110V0011
MAG W 1300 C	200 ISO-F	25 KF	VCR	no*	yes	Swagelock 1/4" tube (bended)	no	no	400110V0017
MAG W 1300 C	250 ISO-F	40 KF	DN 10/16	no*	yes	John Guest fitting 6 mm tube	no	no	400110V0021
MAG W 1300 C	250 ISO-F	40 KF	DN 10/16	no*	yes	Swagelock 1/4" tube connector	no	no	400110V0023
MAG W 1300 C	250 ISO-K	40 KF	DN 10/16	no*	yes	Swagelock 1/4" tube connector	no	no	400110V0121
MAG 1500 CT	200 ISO-F	40 KF	VCR Nut 1/4"	yes	yes	Swagelock 1/4" tube	yes	yes	400020V0002
MAG 1500 CT	250 ISO-F	40 KF	VCR Nut 1/4"	yes	yes	Swagelock 1/4" tube	yes	yes	400021V0002
MAG W 1500 CT	200 ISO-F	40 KF	VCR Nut 1/4"	yes	yes	Swagelock 1/4" tube	yes	yes	400026V0002
MAG W 1500 CT	250 ISO-F	40 KF	VCR Nut 1/4"	yes	yes	Swagelock 1/4" tube	yes	yes	400027V0002
MAG W 1500 CT	200 CF	40 KF	VCR Nut 1/4"	yes	yes	Swagelock 1/4" tube	yes	yes	400030V0002
MAG W 2200 C	200 ISO-F	40 KF	VCR Nut 1/4"	no	yes	Stainless steel hose nipples 1/2"	yes	no	400081V0011
MAG W 2200 C	250 ISO-F	40 KF	VCR Nut 1/4"	no	yes	Stainless steel hose nipples 1/2"	yes	no	400081V0021
MAG W 2200 C	250 ISO-F	40 KF	Thread 1/4"	yes	yes	Thread 1/8"	no	no	400081V0020
MAG W 2800 C	250 ISO-F	40 KF	VCR Nut 1/4"	yes	yes	Swagelock 1/4" tube	yes	no	400000V0001
MAG W 2800 CT	250 ISO-F	40 KF	VCR Nut 1/4"	yes	yes	Swagelock 1/4" tube	yes	yes	400000V0002
MAG W 3200 CT	320 ISO-F	40 KF	VCR Nut 1/4"	yes	yes	Swagelock 1/4" tube	yes	yes	400003V0002
MAG W 830	160 CF	40 KF	DN 10/16	no*	no	Swagelock 1/4" tube	no	no	400100V0041
MAG W 1300	200 CF	40 KF	DN 10/16	no*	no	Swagelock 1/4" tube	no	no	400110V0051
MAG W 2200	250 CF	40 KF	DN 10/16	no*	no	Swagelock 1/4" tube	no	no	400081V0061
MAG W 2800	250 CF	40 KF	DN 10/16	no*	no	Swagelock 1/4" tube	no	no	400006V0071

* Purge vent valve Part No. 121 36 or purge vent Tee can be mounted

** Heater band and temperature sensor for pump control



Cable DRIVE/BEARING

Cable length	Converter cable outlet DRIVE/BEARING X20	Pump cable outlet		Part No.
		DRIVE/BEARING X23	PK X24	
1.5 m	bended 225°	straight	straight	400036V0001
1.5 m	straight	straight	straight	400036V0007
3 m	straight	bended 180°	straight	400036V0006
3 m	bended 225°	straight	straight	400036V0008
3 m	straight	bended 270°	straight	400036V0009
5 m	bended 225°	straight	straight	400036V0004
5 m	straight	straight	straight	400036V0010
8 m	bended 225°	straight	straight	400036V0005
10 m	bended 225°	straight	straight	400036V0002
20 m	bended 225°	straight	straight	400036V0003
23 m	bended 225°	straight	straight	400036V0012
30 m	bended 225°	straight	straight	400036V0011

Cable TMS (for CT versions only)

Cable length	Converter cable outlet TMS X21	Pump cable outlet		Part No.
		TMS X30	Heater X31	
1.5 m	bended 225°	straight	bended 180°	400037V0001
1.5 m	straight	straight	bended 180°	400037V0007
3 m	bended 225°	straight	bended 180°	400037V0008
5 m	bended 225°	straight	bended 180°	400037V0004
8 m	bended 225°	straight	bended 180°	400037V0005
10 m	bended 225°	straight	bended 180°	400037V0002
20 m	bended 225°	straight	bended 180°	400037V0003

Cable Purge/Vent (for optional purge vent valve Part No. 121 33 only)

Cable length	Converter cable outlet TMS X21	Pump cable outlet		Part No.
		Purge	Vent	
1.5 m	straight	bended	bended	400038V0007
3 m	bended 225°	bended	bended	400038V0006
10 m	bended 225°	bended	bended	400038V0002
20 m	straight	bended	bended	400038V0009

Fig. 8 Overview and ordering data for connecting cables